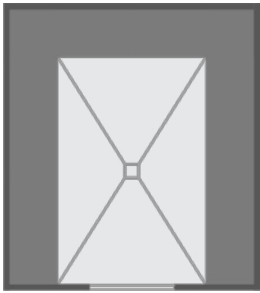
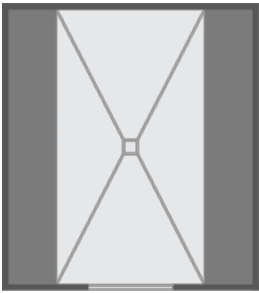
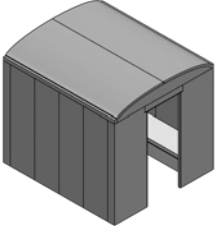
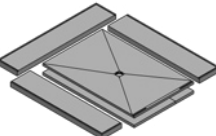


■ **PRODUCT SPECIFICATIONS – LUX ELEMENTS®-MODUL-ROOM ... 2400/2700**

Packaging specifications on request

ARTICLE-NUMBER	ARTICLE-NAME / ARTICLE-DESCRIPTION	UNIT	PRICE / UNIT €
	Bench form MODUL-BA-... + SHAPE or SIZE		Bench form MODUL-BA-... + SHAPE or SIZE
MODUL-ROOM-U 2400/2700	Bench seats on both long sides and rear wall	MODUL-ROOM-P 2400/2700	Bench seats on both long sides

Room construction			
 <i>(Illustration shows the version 'U')</i>	MODUL-ROOM ... 2400/2700 , rectangular room construction as building kit, 2400 x 2700 x 2450 mm, wall thickness 50 mm, roof shape BARREL thickness 50 mm, door wall prepared for MODUL-ROOM-DOOR, equipped with bench seats in U-arrangement or parallel arrangement , bench form MODUL-BA-SHAPE or MODUL-BA-SIZE		
	LMODE9032	MODUL-ROOM-U 2400/2700 SHAPE , equipped with bench seats in U-arrangement on both long sides and rear wall, bench form MODUL-BA-SHAPE	set
	LMODE9033	MODUL-ROOM-U 2400/2700 SIZE , equipped with bench seats in U-arrangement on both long sides and rear wall, bench form MODUL-BA-SIZE	set
	LMODE9034	MODUL-ROOM-P 2400/2700 SHAPE , equipped with bench seats in parallel arrangement on both long sides, bench form MODUL-BA-SHAPE	set
	LMODE9035	MODUL-ROOM-P 2400/2700 SIZE , equipped with bench seats in parallel arrangement on both long sides, bench form MODUL-BA-SIZE	set
Floor			
 <i>(Illustration shows the version 'U')</i>	MODUL-ROOM-...-BO.P 2400/2700 ... , floor construction, consisting of multi-part floor element 2400 x 2700 x 30/50 mm, multi-part substrate element 2400 x 2700 x 55 mm and floor drain support DN 50 horizontal incl. odour trap		
	LMODE9116	MODUL-ROOM-U-BO.P 2400/2700 , for MODUL-ROOM-U 2400/2700	set
	LMODE9117	MODUL-ROOM-P-BO.P 2400/2700 , for MODUL-ROOM-P 2400/2700	set

Optional accessories: Panel / Aluminium door frame and glass door / Light / Heating / Steam / Floor drain supports / Mounting accessories



Visit www.luxelements.com for further information on MODUL.

Data sheets, assembly instructions, test certificates and additional brochures under 'Downloads', videos under 'Practice' and on YouTube.